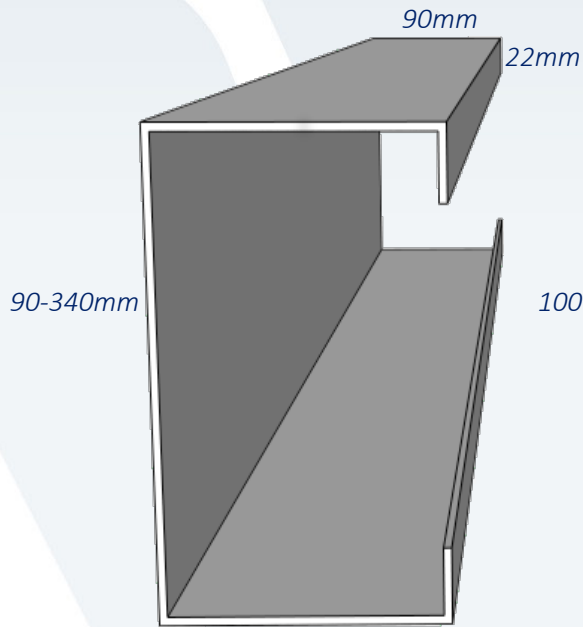


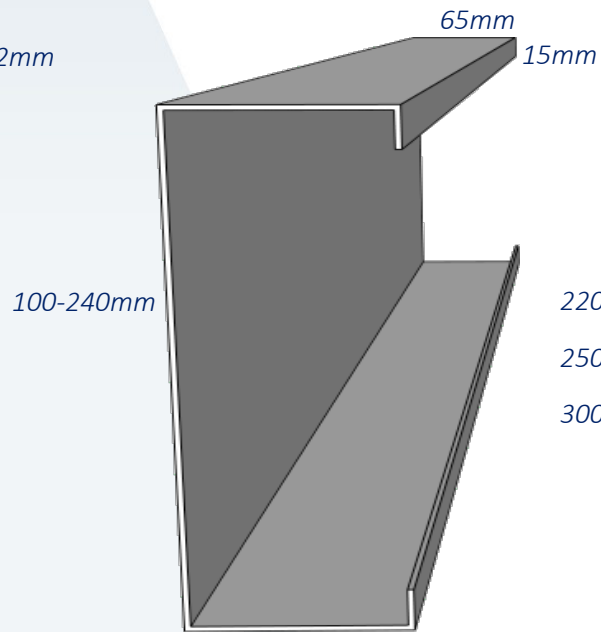
Meet the Ayrshire 'C' Range

'C'



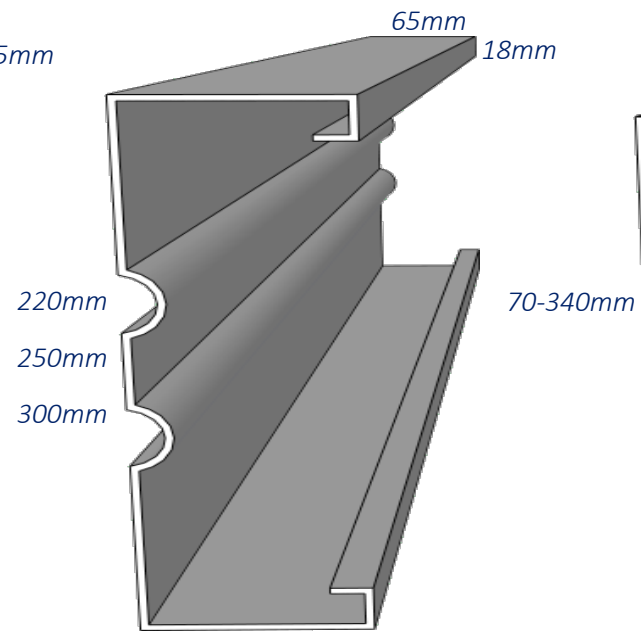
Door Openings
Floors Joists
Cladding Rails

'CW'



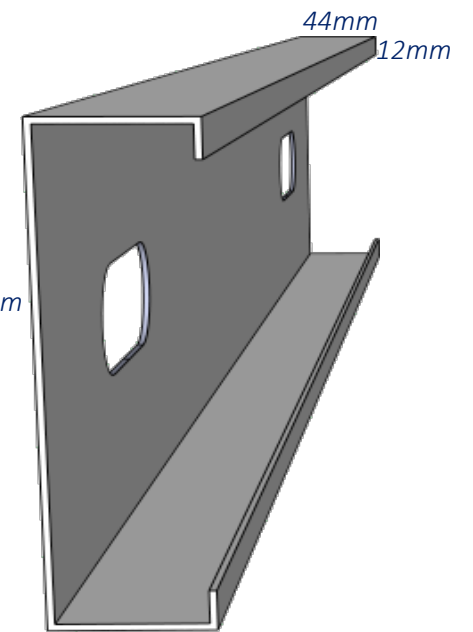
Mezzanine Floors
Door / Window Openings
Cladding Rails

SwageBeam™



Heavy Duty
Mezzanine Floors
SwageBeam Buildings

'CS'

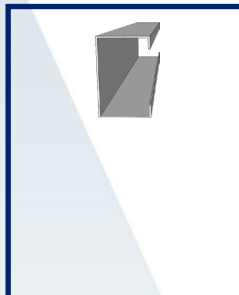


Infill Wall Framing
Floor / Ceiling / Roof Joists

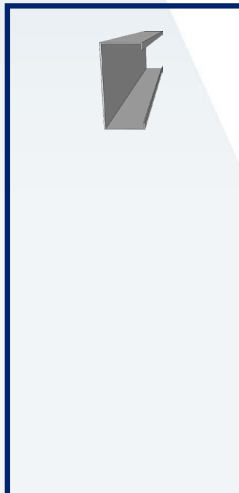
PTO for more details of Depths and Thicknesses



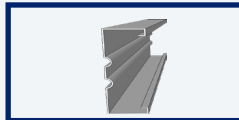
'C'



'CW'



SwageBeam™



'CS'



Depth (mm)	Available Thickness (mm)									
	1.2	1.5	1.6	1.8	2.0	2.4	2.5	2.7	3.0	3.2
90							✓		✓	✓
105							✓		✓	✓
140					✓		✓		✓	✓
160					✓		✓		✓	✓
180							✓		✓	✓
200					✓		✓		✓	✓
270							✓		✓	✓
340							✓			✓
100			✓		✓					
120			✓							
127		✓	✓	✓	✓					
140		✓	✓	✓						
150			✓		✓					
155		✓	✓	✓						
165		✓	✓	✓	✓					
170		✓	✓	✓						
180			✓	✓	✓					
185		✓	✓	✓	✓					
200		✓	✓	✓	✓					
220		✓	✓	✓	✓					
240					✓					
220	✓	✓		✓	✓	✓			✓	✓
250		✓		✓	✓	✓			✓	
300		✓		✓	✓	✓		✓	✓	✓
70	✓	✓			✓					
100	✓	✓			✓					
150	✓	✓			✓					
200	✓	✓			✓					
250	✓	✓			✓					
290		✓			✓					
340					✓					



Contact Us: Ayrshire Metals Limited, Royal Oak Way, Daventry NN11 8NR Tel: +44 (0) 1327 300990 Email: sales@ayrshire.co.uk www.ayrshire.co.uk